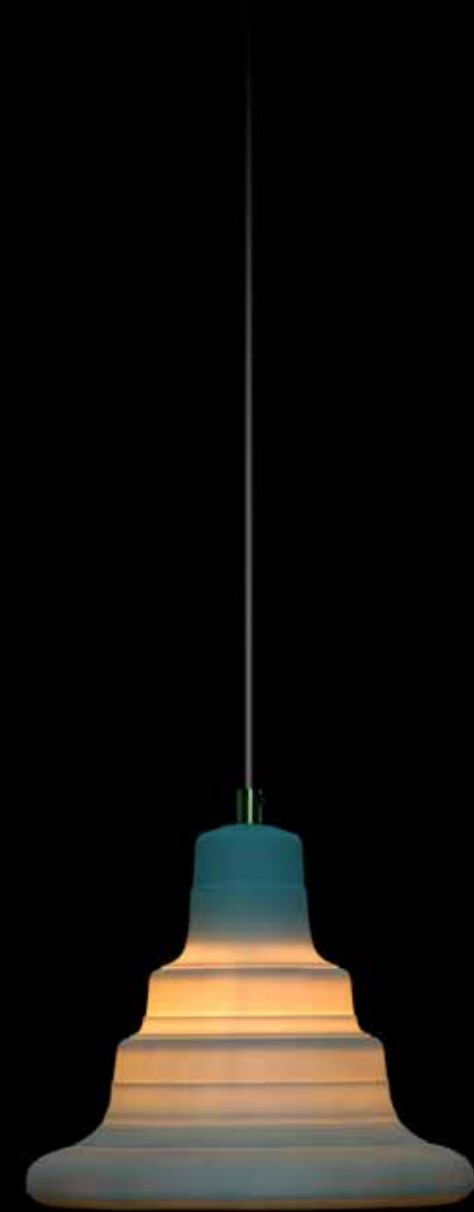


# Catalogue Profile/Tourneur

A series of pendant lamps



# Rokokorelevanz Profile/Tourneur

A series of pendant lamps

Luc Merx  
Holmer Schleyerbach  
Uli Herres



European Ceramic Workcenter  
EKWC

















Profile/Tourneur

**Porcelain**

**p**

## Profile/Tourneur Porcelain

Ta-P: 4 pieces

Tb-P: 2 pieces

Tc-P: 2 pieces

A series of pendant lamps designed by:  
Luc Merx, Holmer Schleyerbach, Uli Herres

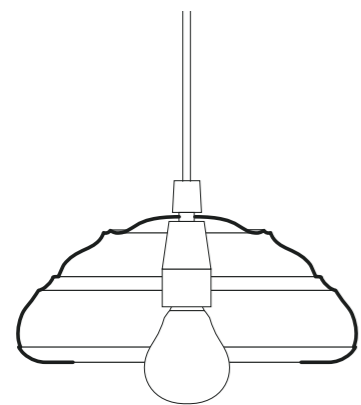
Gear/transfo: transfo/gear not required

Material: porcelain

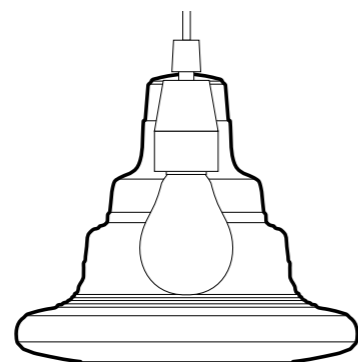
Weight: 0.5 kg

Voltage: 230V

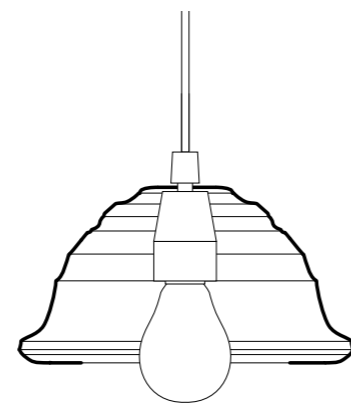
Cable length: 3.0 m



Ta-P



Tb-P



Tc-P

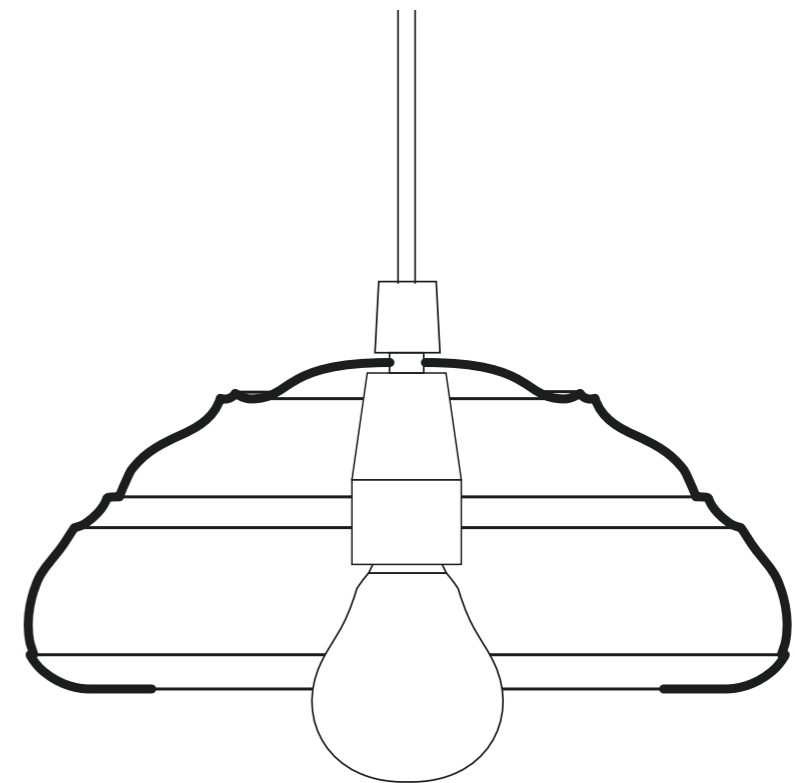
Remark: can be used with Master LED-bulb ( 70034035)

Profile/Tourneur  
Porcelain

Ta—P

€ 900,-  
(incl. VAT)

Limited edition of 4 handmade pendant lamps.



Ta-ρ

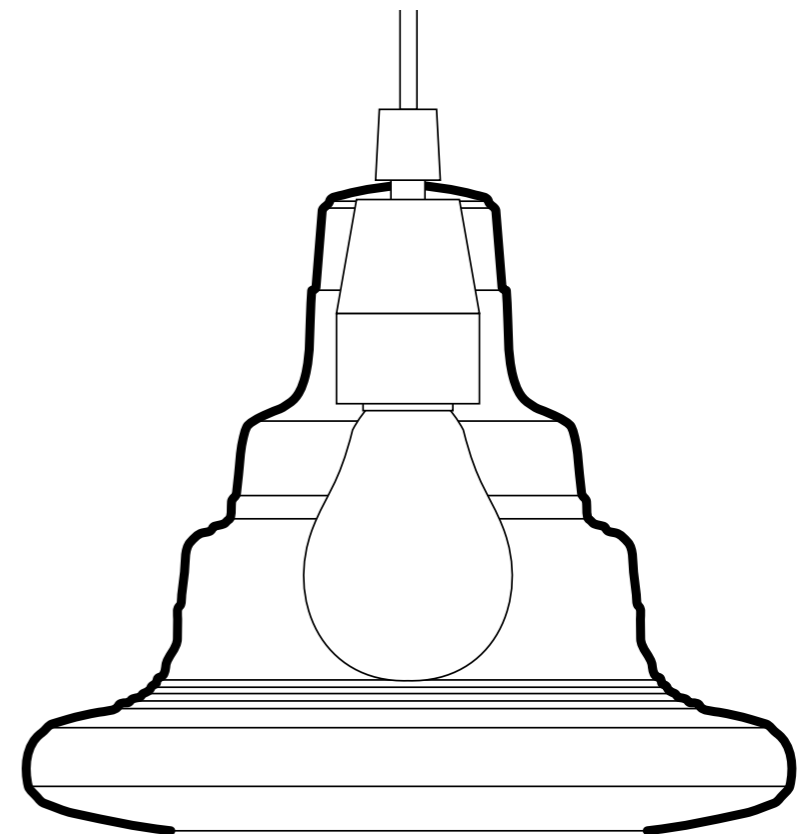


Profile/Tourneur  
Earthenware

**Tb—P**

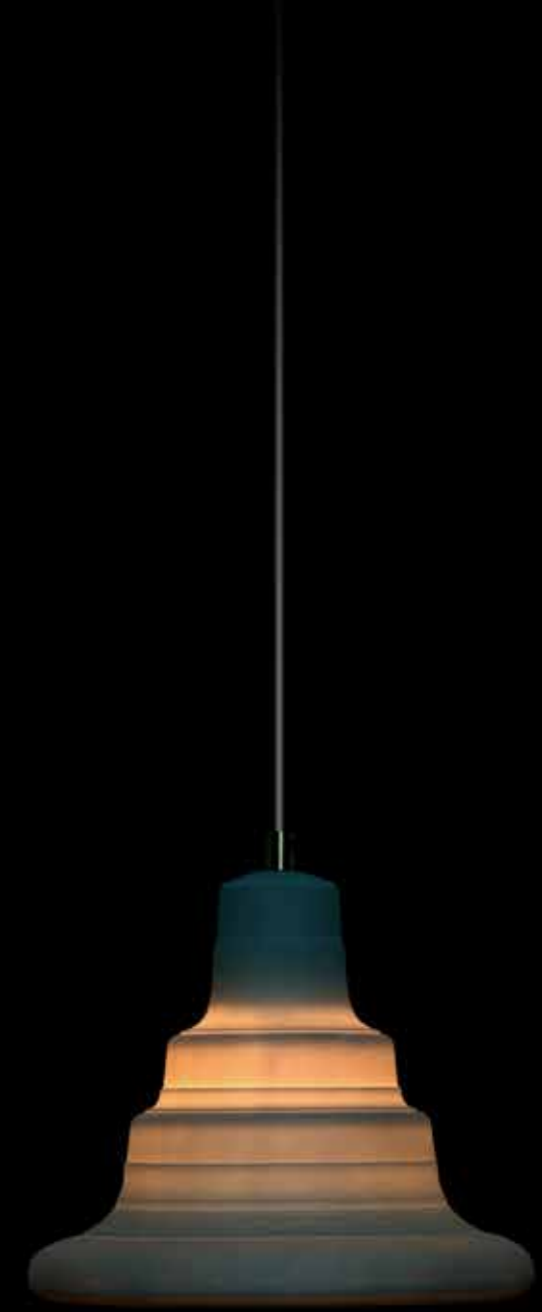
€ 1.000,-  
(incl. VAT)

Limited edition of 2 handmade pendant lamps.





Tb-ρ

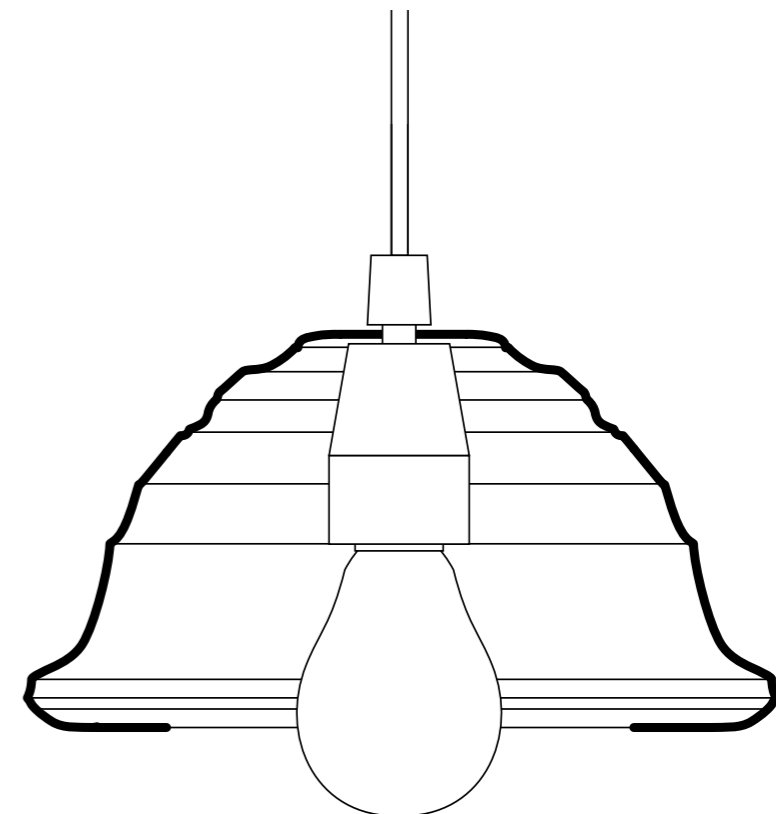


Profile/Tourneur  
Earthenware

**Tc—P**

€ 900,-  
(incl. VAT)

Limited edition of 2 handmade pendant lamps.



Tc-ρ







Profile/Tourneur  
Earthenware

**Ew**

## Profile/Tourneur Earthenware

Ta-Ew: 5 pieces

Tb-Ew: 5 pieces

Tc-Ew: 5 pieces

A series of pendant lamps designed by:  
Luc Merx, Holmer Schleyerbach, Uli Herres

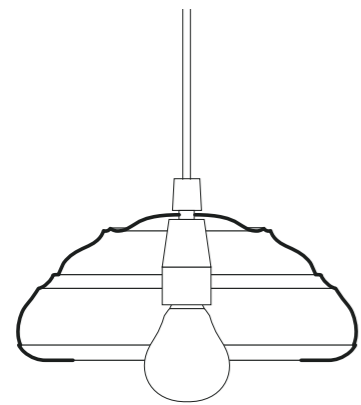
Gear/transfo: transfo/gear not required

Material: porcelain

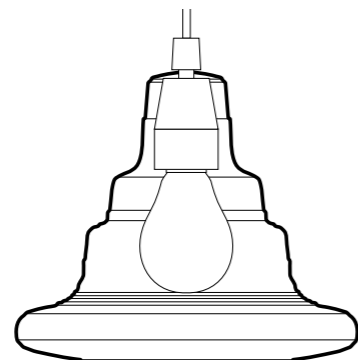
Weight: 0.5 kg

Voltage: 230V

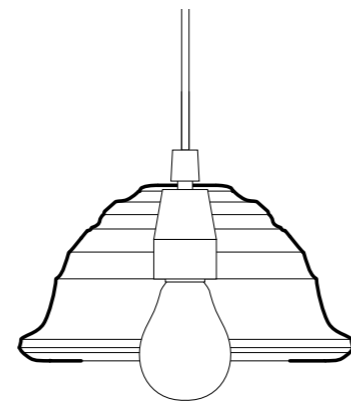
Cable length: 3.0 m



Ta-EW



Tb-EW



Tc-EW

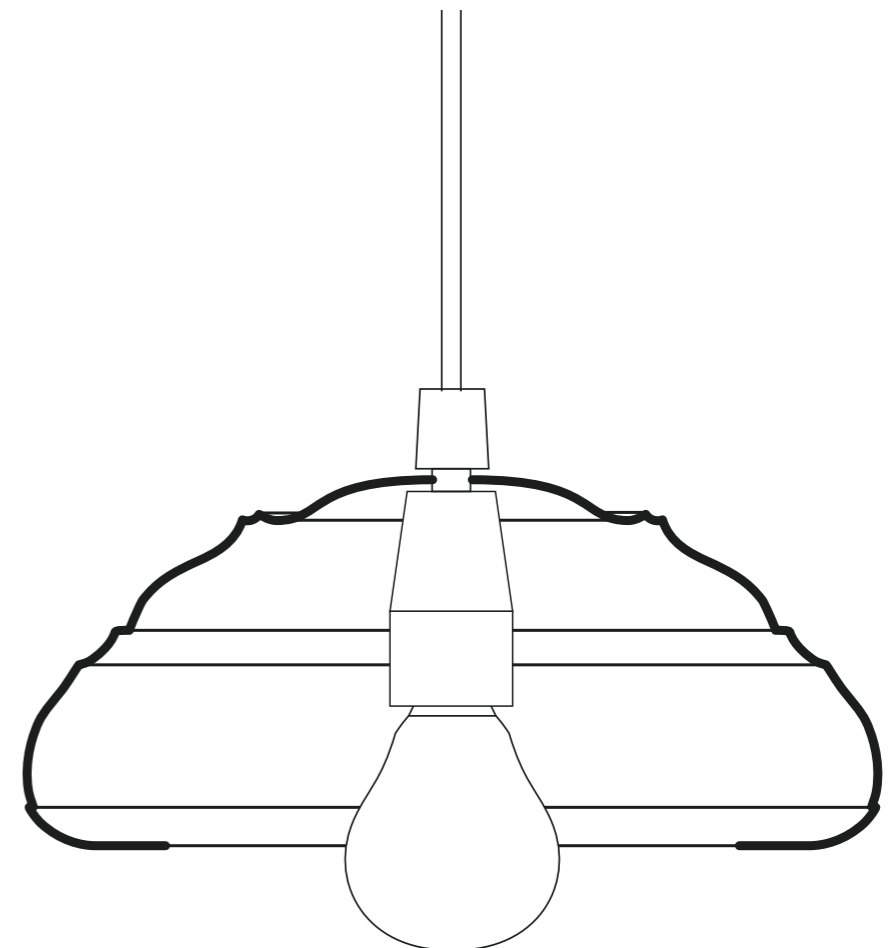
Remark: can be used with Master LED-bulb ( 70034035)

Profile/Tourneur  
Earthenware

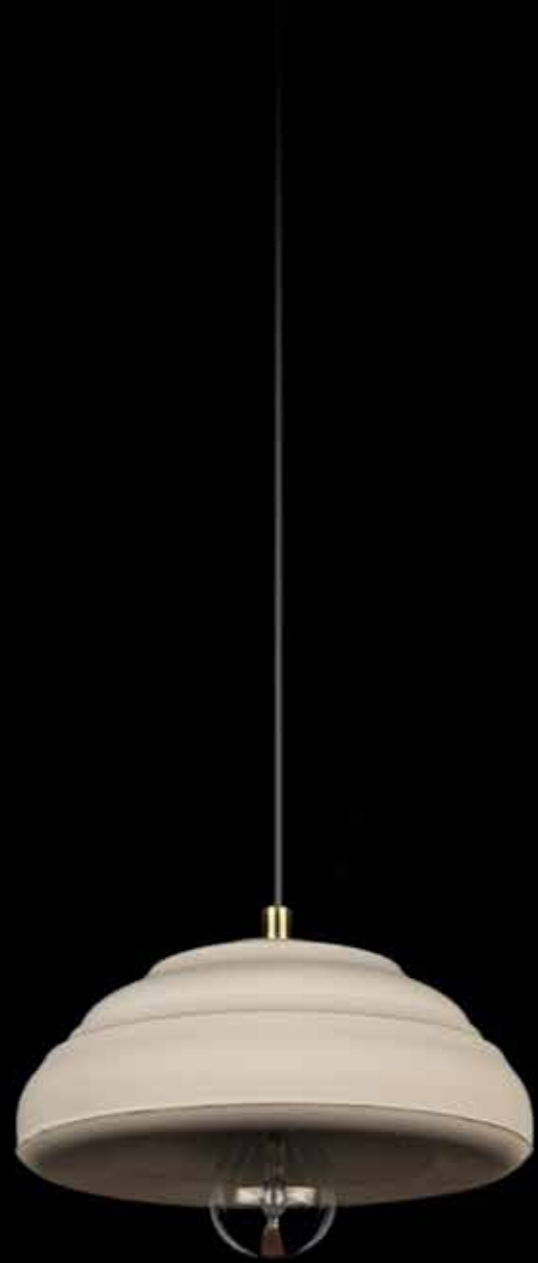
**Ta—Ew**

€ 800,—  
(Vat. incl.)

Limited edition of 5 hand made pendant lamps.





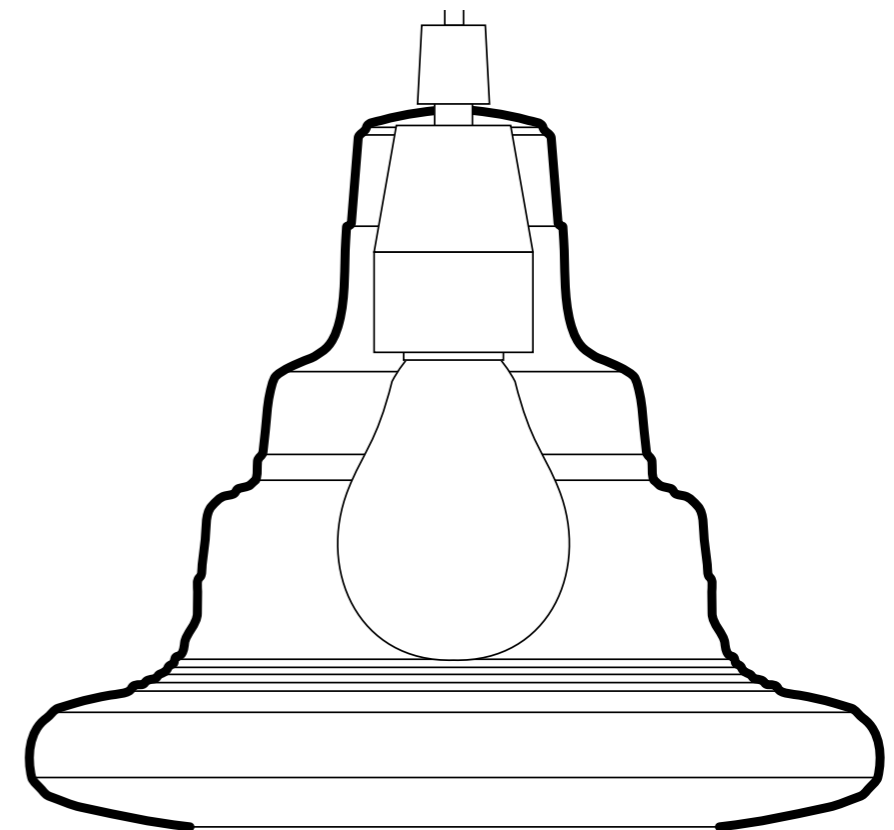


Profile/Tourneur  
Earthenware

**Tb—Ew**

€ 900,—  
(Vat. incl.)

Limited edition of 5 hand made pendant lamps.



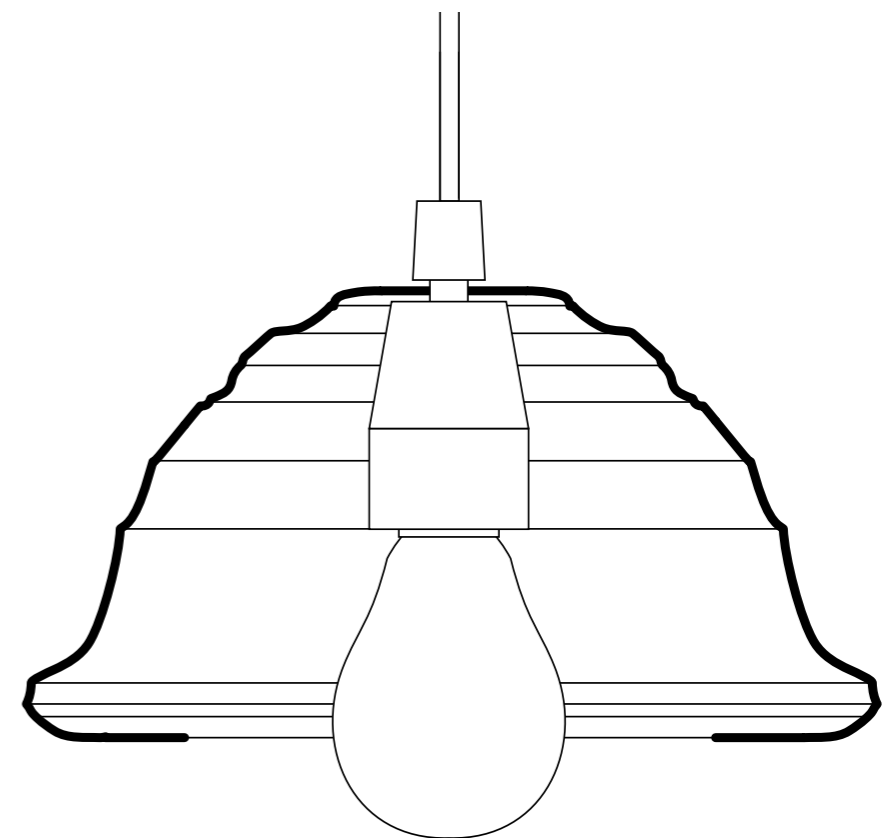


Profile/Tourneur  
Earthenware

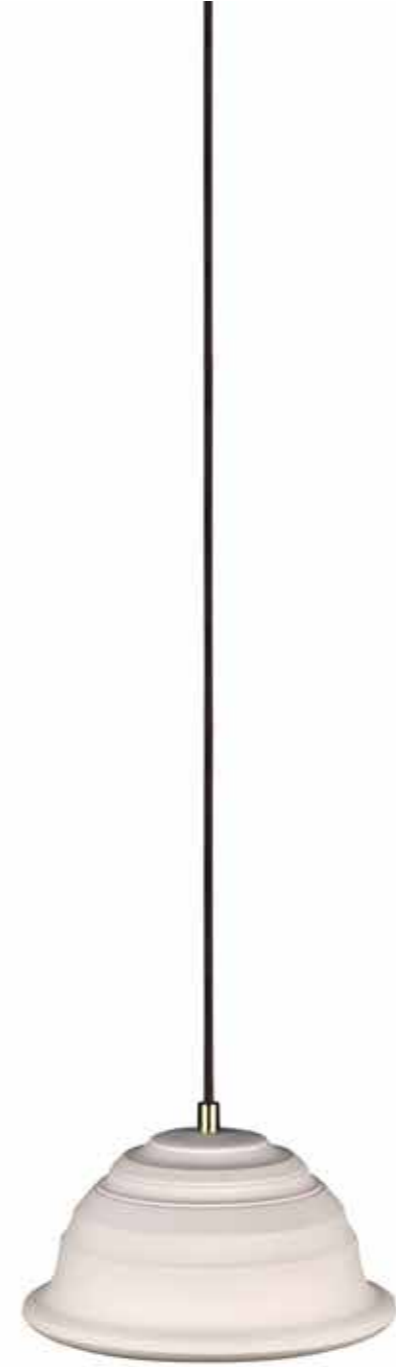
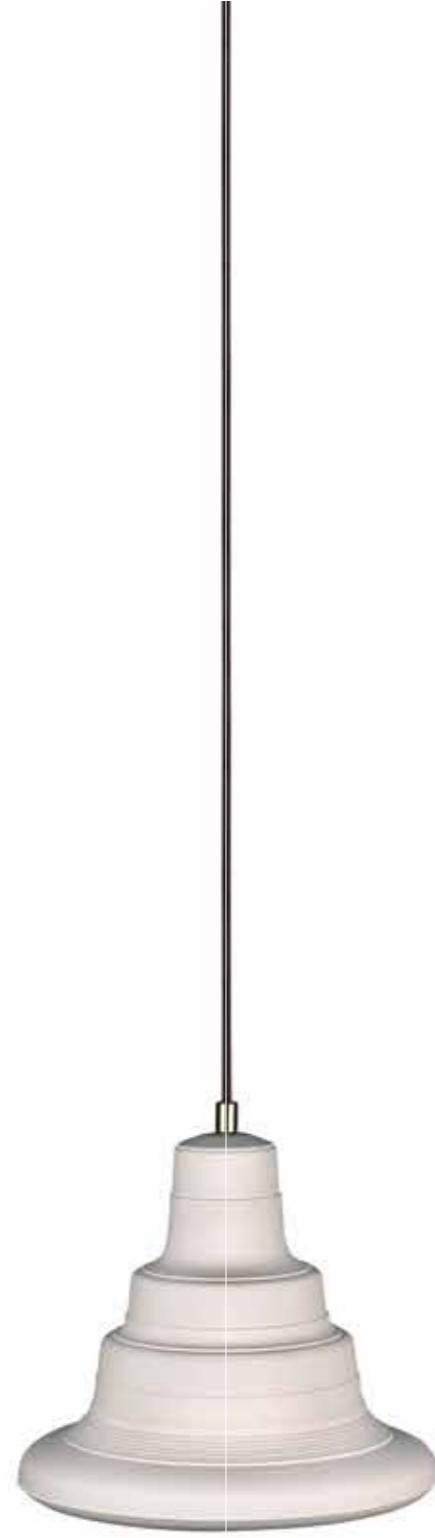
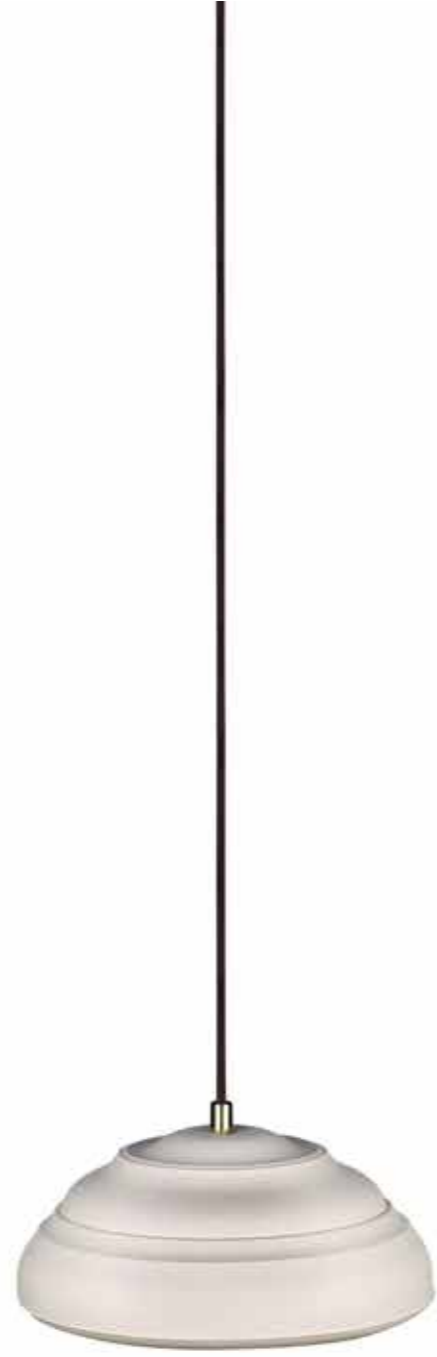
**Tc—Ew**

€ 800,—  
(Vat. incl.)

Limited edition of 5 hand made pendant lamps.









**To order  
please contact:**

**Salon Kennedy**

Kennedyallee 100  
60596 Frankfurt a.M.  
[www.salonkennedy.de](http://www.salonkennedy.de)  
[info@salonkennedy.de](mailto:info@salonkennedy.de)

**Rokokorelevanz**

+49.241.4350727  
Dammstraße 47  
52066 Aachen  
[www.rokokorelevanz.de](http://www.rokokorelevanz.de)  
[info@rokokorelevanz.de](mailto:info@rokokorelevanz.de)



Design:

**Luc Merx**  
**Holmer Schleyerbach**  
**Uli Herres**

Communication: C/O

**Jochen Lauscher**  
**Niklas Blaszczyk**  
**Tobias Oebel**

Film:

**Daniel Kosch**  
**Thomas Mohren**

Music:

**vinxtrecords.com**

Font:

**Matthias Görlich**

Packaging:

**C/O**  
**Trees Merx**

Research on profiles in cooperation with:

**TU Kaiserslautern**  
**FG Kontingenz der Gestaltung**

Supported by:

**European Ceramic Workcenter**

Supported by:

**C/O**  
Jochen Lauscher  
Niklas Blaszczyk  
Tobias Oebel

[www.c-o.org](http://www.c-o.org)

Cultural Avenue  
Johanna Stemmler | Friedrich Gräfling

**Salon Kennedy**

Kennedyallee 100  
60596 Frankfurt a.M.  
[www.salonkennedy.de](http://www.salonkennedy.de)

**Rokokorelevanz**

Dammstraße 47  
52066 Aachen  
[www.rokokorelevanz.de](http://www.rokokorelevanz.de)



Cultural Avenue  
Johanna Stemmler | Friedrich Gräfling

## Salon Kennedy

Kennedyallee 100  
60596 Frankfurt a.M.  
[www.salonkennedy.de](http://www.salonkennedy.de)

## Rokokorelevanz

Dammstraße 47  
52066 Aachen  
[www.rokokorelevanz.de](http://www.rokokorelevanz.de)

